

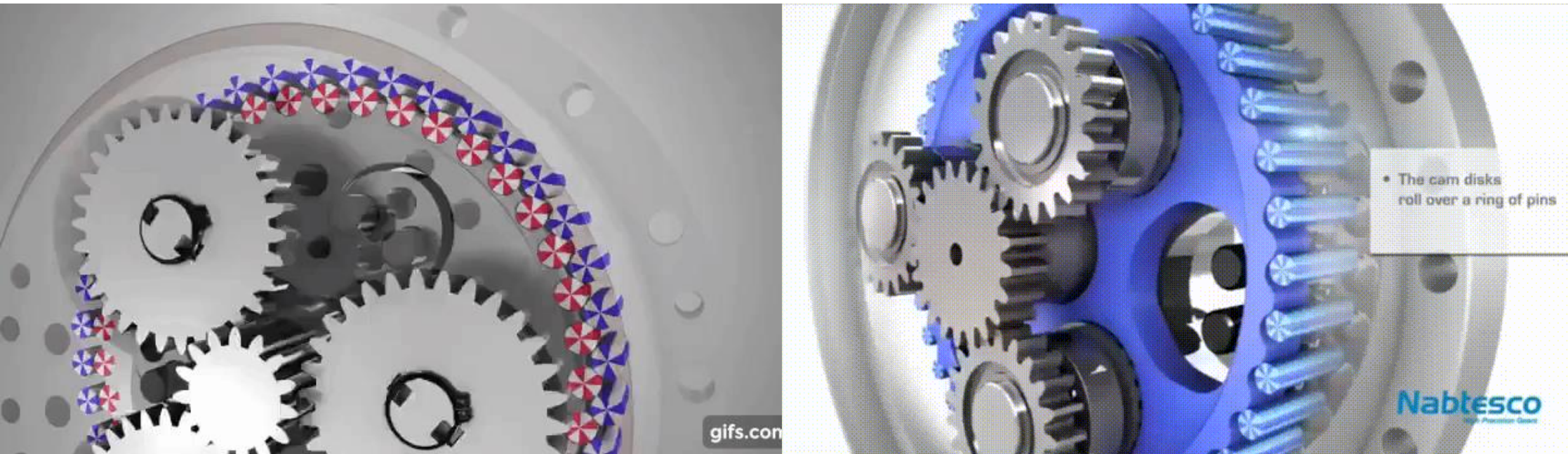


VS

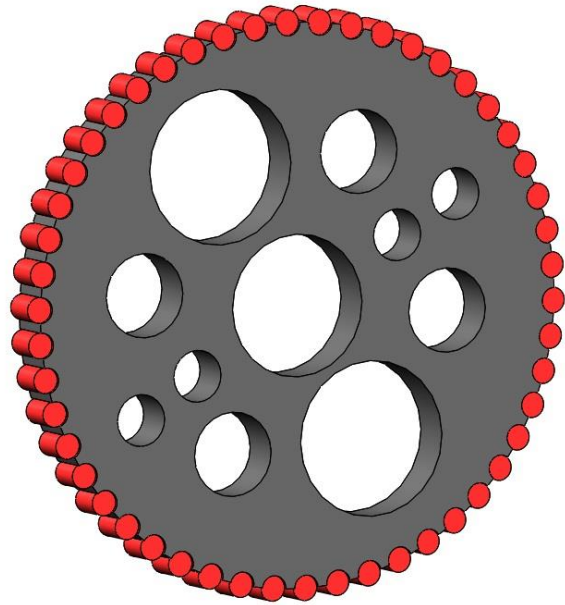
Nabtesco

**TwinRoller
HIGH PRECISION
REDUCTION ROLLER**





TwinRoller mechanical principle' s modes of operation is similar to RV cycloid' s mechanical mode.



Roller discs

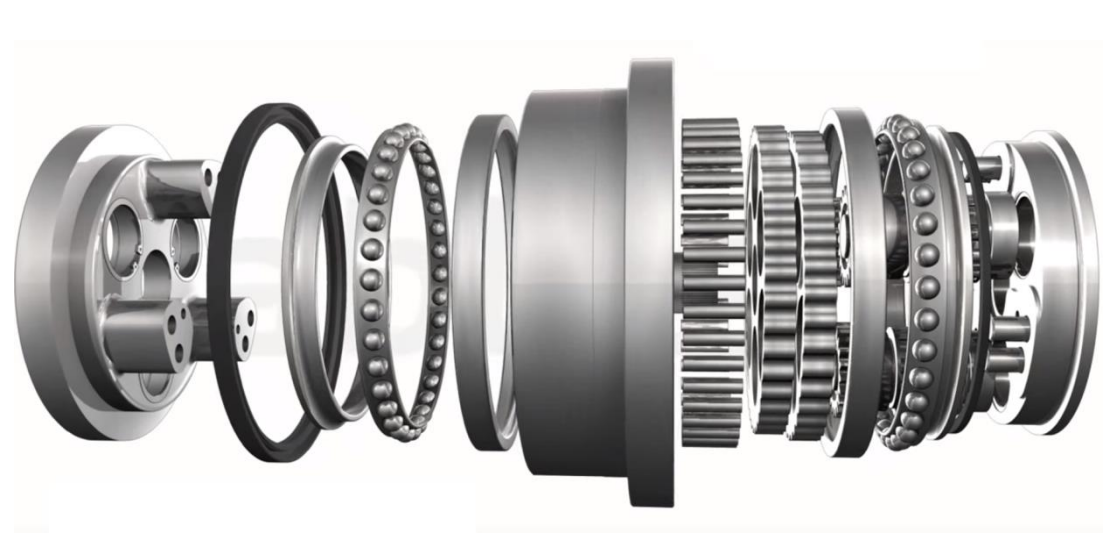


Cycloid

RV reducers' cycloid is rigid, which it is also a disadvantage. Especially for the insufficient rigid layer, the ruggedness will decrease as well. Compare to **Tsuntien's** roller plate, the inside and outside are rolling design, the material uses Japanese bearing steel, the rigidity is about $\pm 60^\circ$. The rigidity of each side are the same.

Tsuntien's reducers can significantly transfer higher torque and provide extremely high rigidity and high impact loading capacity.

The performance of precision and stability is based on what kind of grinding equipment that used to do wave- shaped discs grinding for cycloid.



RV reducer uses cycloid's rotation and casing's "roller" mesh and form mechanical cycloid.

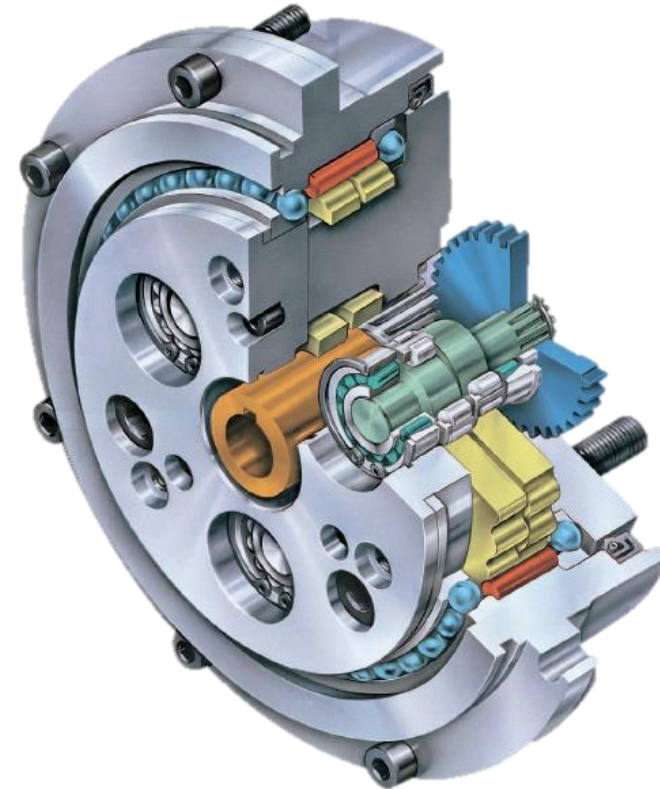
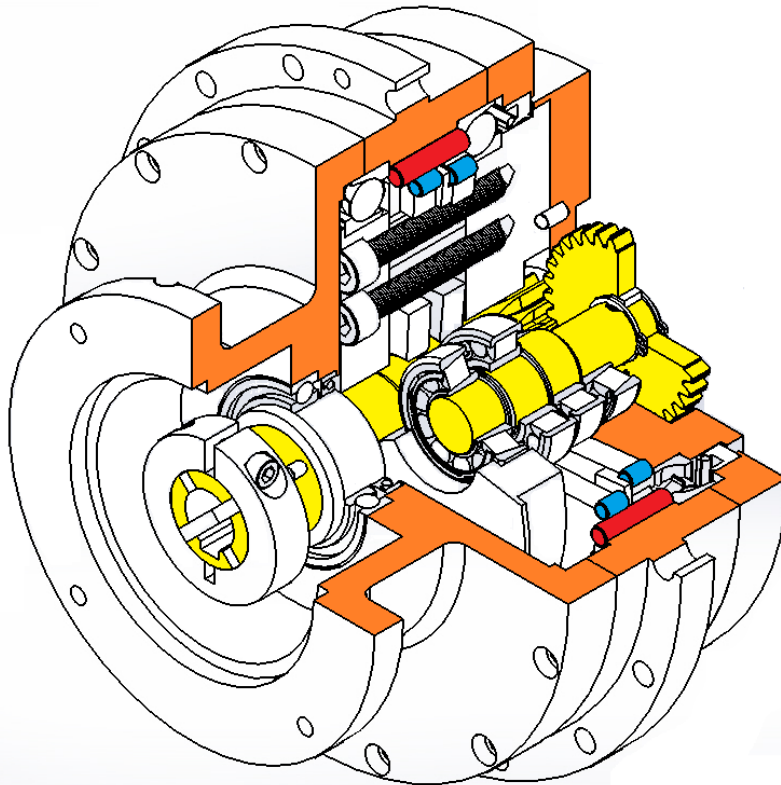
The outer rollers can rotate, and they are highly rigid.

The wave-shaped discs cycloid is extremely difficult to process. Their precision level depends more on components.

Roller gear reduction uses "Twin Roller" and outer roller that generate the principle of offset's cycloid

and produce the effect of speed reduction.

The roller of TwinRoller and outside roller both can rotation. As for the high inertia's design which can bring on the action. The material of inner and outer rollers are Japanese bearing steel. Don't worry about the damage of the cycloid.



In addition, there are TSUNTIEN's reducer advantages compare to RV reducer.

- 1. Easy installation** Including motor connector
- 2. Completely sealed** Overall sealed design
- 3. Single-segment ratio** We can generate at least 30 ratio
(Depends on the size of model)

We can conclude the advantages that **TwinRoller** effects RV reducer as following:

- Inner and outer roller design for higher torque rigidity.
- Higher dependability.
- Easy installation.
- Completely sealed.
- Single- segment low ratio without gears.



Thank you.

